

Fanless IEEE 802.3bt Power Over Ethernet

Drive building infrastructure with a distributed 90 watt system with data and power redundancy capacity.



DISTRIBUTED POWER AND INTELLIGENCE

The GBTS-10-8-M, as a fanless full gigabit Managed Industrial BT PoE switch, provides reliable, cost effective, high power PoE on eight 10/100/1000Base-T Ethernet PoE ports and with two 1000Base-X SFP Slots. The switch includes HTML based L2 managed functions, including IGMP Snooping QVLAN, QoS, DHCP and Fast-ring and PoE control. This switch brings cost effective, ring networked technology to lighting, security monitoring, enterprise park and other applications.

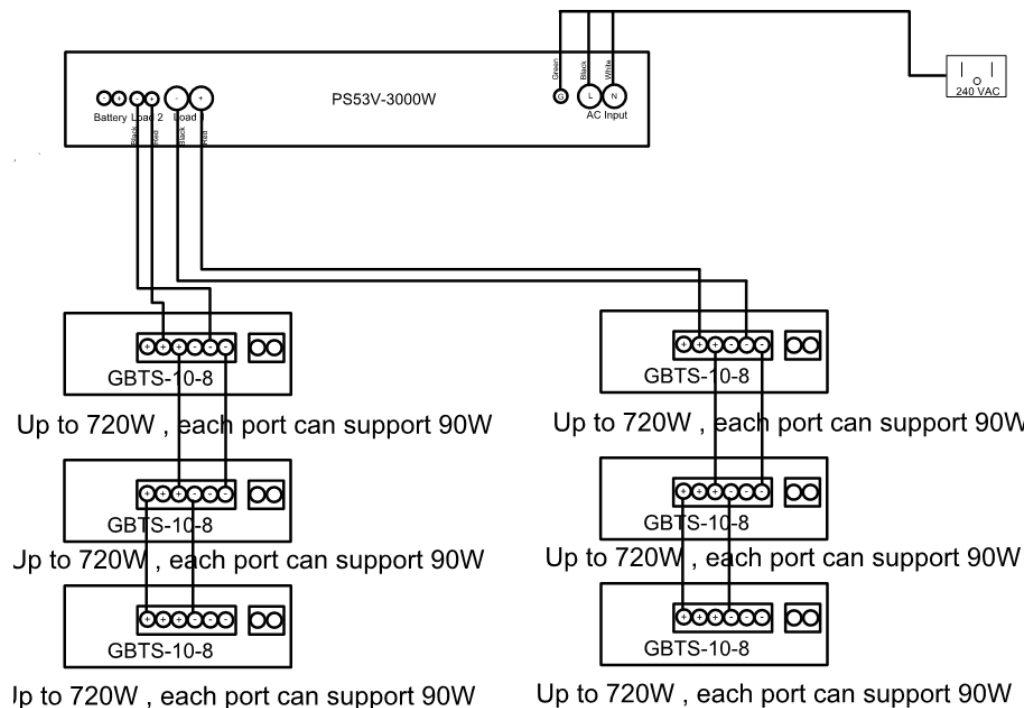
DISTRIBUTED PoE SWITCH

Features

- ◇ 8 x 10/100/1000Mbps Ethernet PoE port
+2*1000Mbps SFP Slots
- ◇ Ports 1-8 output IEEE802.3at/af/bt
- ◇ Total PoE power budget is 480W, max PoE power for single port is 90W
- ◇ Supports Perpetual PoE and PoE watchdog.
- ◇ Supports Layer 2 managed functions including DHCP, Fast-Ring, IPv6, etc.
- ◇ Relay alarm output
- ◇ Fanless, wave metal shell, and low power consumption design
- ◇ DIN rail and wall mountable



Wiring diagram Example



CENTRALIZED PoE SWITCH

Technical Specifications

Inputs/Outputs	
Downlink Ports	24*10/100/1000Base-T (PoE)
Uplink Ports	4*10/100/1000Base-T / 4*1000Base-X SFP Slots
LED Indicator	8*Link/Act (Green), 8*PoE (Orange), 1*PWR (Red)
Networking Functions	
Standard and Protocols	IEEE802.3 , IEEE802.3u, IEEE802.3ab, IEEE802.3Z, IEEE802.3X, IEEE 802.3ad, IEEE 802.3q, IEEE 802.3q/p, IEEE802.1w, IEEE 802.1D, IEEE 802.1s IEEE 802.1af/at/bt
Switching Capacity	128 Gbps
Packet Forwarding Rate	40.32 Mbps
Buffer	4.1Mbit
MAC Address Table	8K
Flash	16M
CPU	500Mhz
RAM	128M
Power Over Ethernet	
PoE Standard	802.3af/at/bt(PSE)
PoE Line Pair	1/2/4/5(+), 3/6/7/8(-)
PoE Output Power	PoE output power for single port≤90W, Total PoE power budget≤ 2.16kW
Power Supply	
Input Voltage	48-56 VDC
Certifications	CE, CB, PFC
Environment	
Operating Temperature	-10-55°C
Storage Temperature	-40-75°C
Operating Humidity	5%-95% (Non-condensing)
Installation	Rack-mountable (1u)

CENTRALIZED PoE SWITCH

Management Functions

Layer 2 Management Functions	
MAC	16K MAC address, auto aging and learning
VLAN Configuration	Port-based VLAN control Up to 4096 VLANs Voice VLAN with configurations for Qos for voice data 802.1Q
Spanning Tree	STP(Spanning tree protocol) RSTP/MSTP (Rapid spanning tree protocol) EPPS/EAPS (Ring network protocol) 802.1x argumentation agreement
Port Aggregation	8 groups of port aggregation, each group support up to 8 ports
Port Mirroring	Many-to-one port mirroring
Loop Guard	Loop protection, real-time detection, quick alarm, concise location, Intelligent blocking, automatic recovery
Port Isolation	Downlink ports isolation from each other while communicating with the uplink port
Flow Control	Half duplex based on Back pressure Full duplex based on PAUSE frame
Speed Limitation	Bandwidth management based on port input and output
Multicast Control	IGMPv1/2/3 and MLDv1/2 Snooping GMRP protocol registration Multicast address management, multicast VLAN, multicast routing port, static multicast address
DHCP	DHCP Snooping
Storm Suppression	Unknown unicast, multicast , unknown multicast, broadcast type storm suppression available Storm suppression based on bandwidth adjustment and storm filtering

CENTRALIZED PoE SWITCH

Management Functions

Layer 2 Management Functions	
Security	User port + IP address + MAC address ACL based on IP, MAC Manages security properties of number of MAC address based on port
QOS	802.1p port queue priority algorithm Cos/Tos, QOS remark WRR (Weighted Round Robin), weighted priority rotation algorithm WRR、SP、WFQ priority scheduling modes
Cable Sequence	Auto-MDIX; auto detection on straight-through and cross-over cable
Negotiation Mode	Port auto negotiation— negotiates transmission rate and duplex mode
System maintenance	Upgrade package upload functionality System log viewing WEB recovery factory configuration
PoE Function	Port Enable/Disable Scheduled port management Voltage, current and power Display System total power display and configuration PoE Watch dog, automatically restart and timed restart when device crashes with IP binding restart Port power configuration Over-power Indicator Port PoE type configuration (af/at)
Network Management	WEB interface management CLI management based on Telnet、TFTIP、Console SNMP V1/V2/V3 management RMONV1/V2 management RMON management