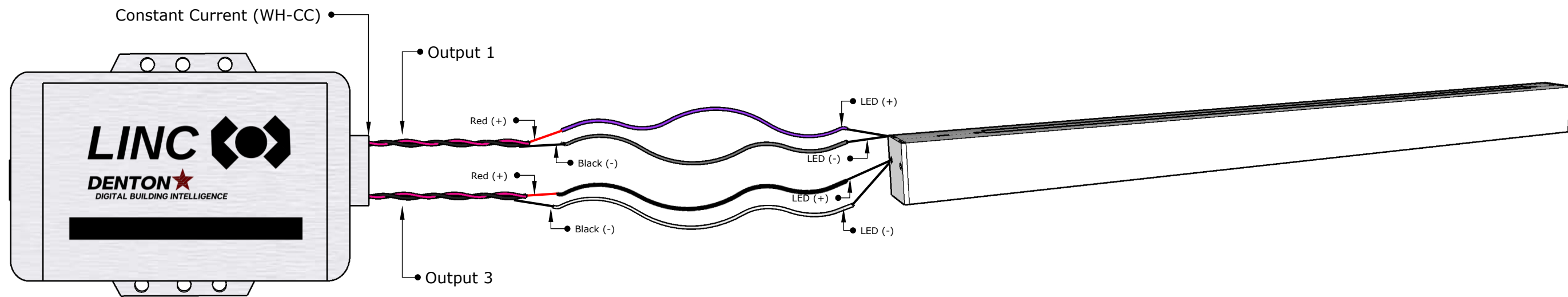
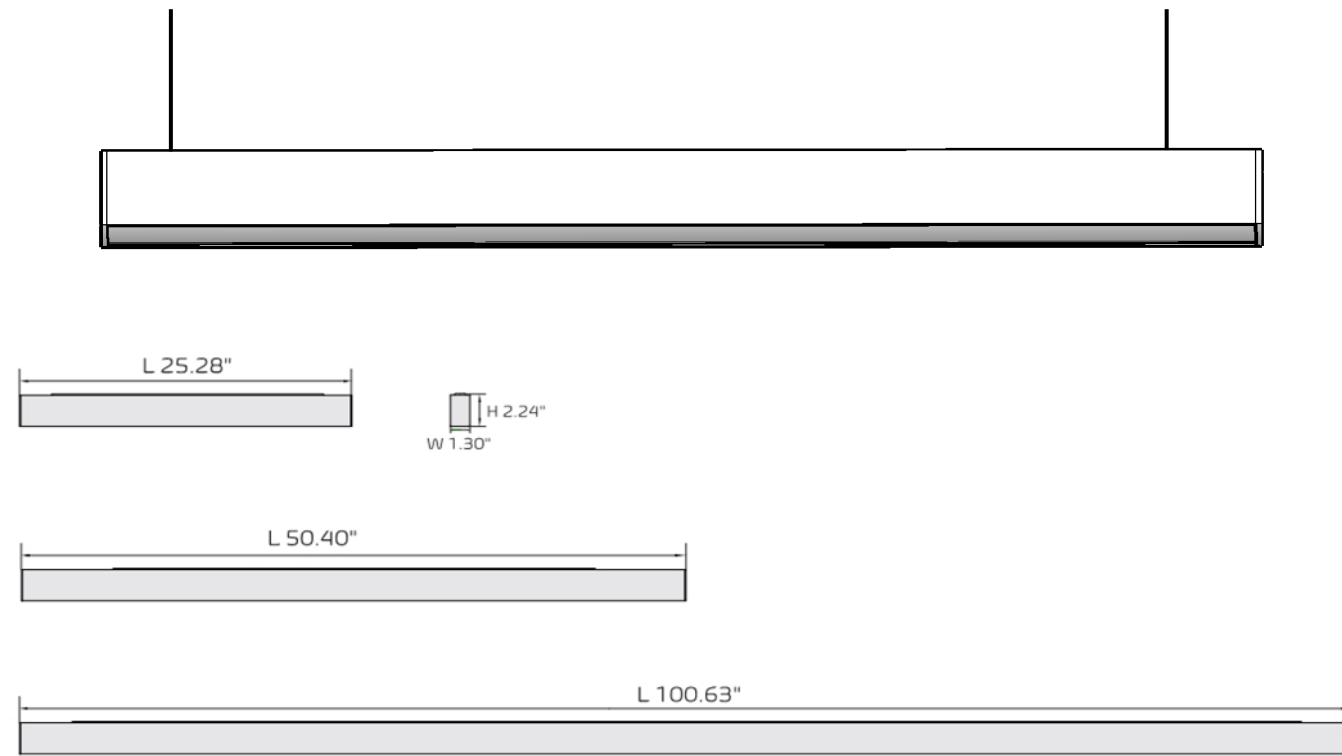
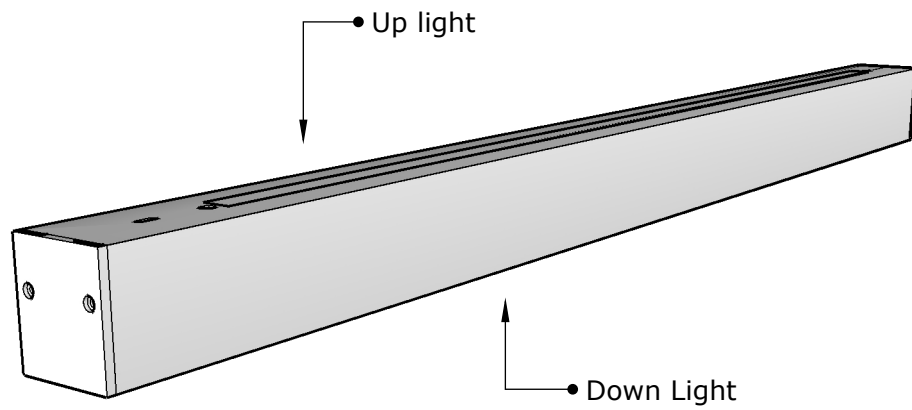


**DENT-LTG-LS
Linear Up/Down**

3616 Far West Blvd
Suite 117-294
Austin TX 78731



DATE: 10-7-22

TITLE: Linear Up/Dwn

DRAWING NUMBER:

A