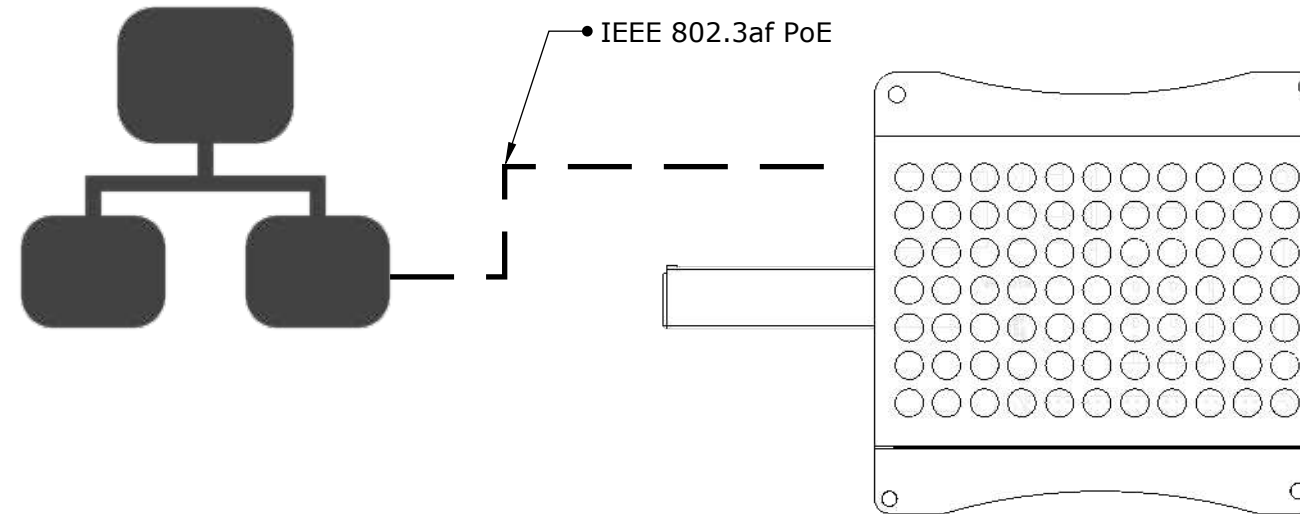


COR-TAP-LITE

CENTRALIZED OPERATIONAL RESOURCE - TECHNICAL ACCESS POINT



WIRING INSTRUCTIONS:
 Input Ports:
 - IEEE 802.3 af PoE Network Port
 - 4x USB Port - EnOcean, DMX, etc.



Quick Specs	
Specification	Data
Power Budget	12 watts
Length	5 1/2"
Width	3 11/16"
Height	1 3/16"
Input Port 1	LAN - IEEE 802.3af
USB Ports	EnOcean, DMX, etc.

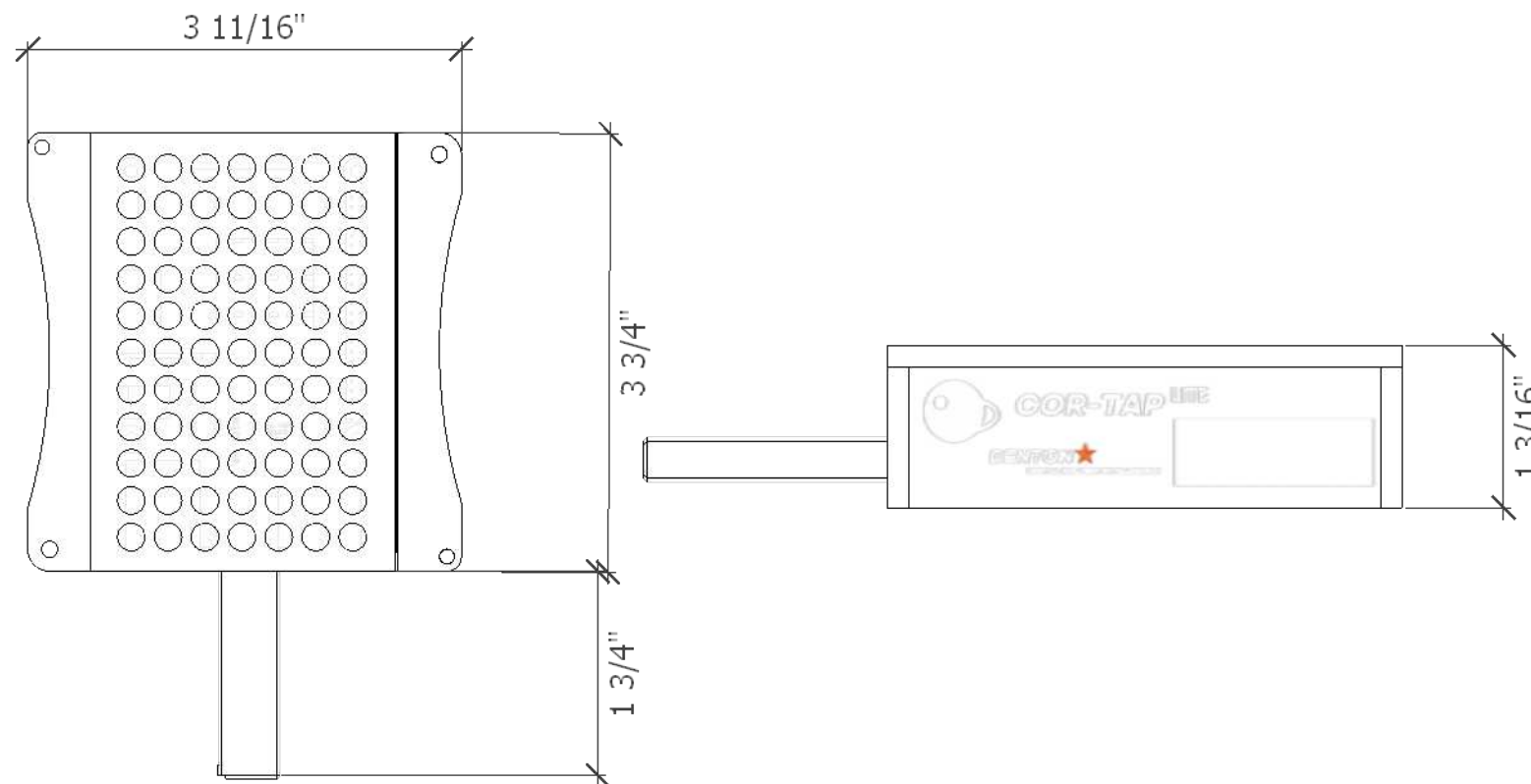
Denton DBI
Product Detail Drawings

3616 Far West Blvd
 Suite 117-294
 Austin TX 78731

MOUNTING INSTRUCTIONS:

- Locating the COR-TAP-LITE - This device is a Technical Access Point to allow communication Denton DBI through LAN, WiFi, EnOcean, ZigBee, DMX, and more. Locating the device depends on the consideration of where will serve the communication role best:

- 1 - LAN - this device does require a PoE enabled ethernet connection to function, so it must be mounted where it can have a network connection
- 2 - Wireless - one of the key features of the device is that it acts as a gateway for wireless device protocols including EnOcean, which has a range limit. For example, an EnOcean light switch will need to be within 80-100 ft of the COR-TAP-LITE. Consider how to arrange the COR-TAP-LITE with respect to Wireless signal devices
- 3 - Space Organization - it also acts a a basic organizational unit for your spaces as automated devices are registered to it. Consider dividing up spaces into organizational units using the physical placement of the COR-TAP. For example, in a multi-tenant space each unit has its own device, or on in a multi-floor system each floor has a COR-TAP
- 4 - Mount Height - Given it's application, best practice is to mount it in locations not readily accessible by the public: above ceilings, inside cabinets, in server rooms or IDF's, etc. Fortunately, it's compact size makes it easy to locate where space is tight.



DATE:
 November 3, 2022

TITLE:
 COR-TAP-LITE

DRAWING NUMBER:

OT-02