

DENT-LK-C2

Lighting
Kit
Contractor -
2 Fixture rooms



Low Voltage Lighting Kit

The DENT-LK-C2 is a lighting retrofit kit designed for any office that has 2 fluorescent fixtures that does not need a licensed electrician to install. The past 5 years of significant advances in LED technology now enables to you to get **more** light with less than one fifth the power required for an equivalent set of fluorescent fixtures. Traditional replacement with high voltage LED fixtures/bulbs does not offer dimming capability, this does. The DENT-LK-C2 allows **anyone** to install it safely and at no risk of hazards. With the pre-programmed behaviors, you simply install the fixtures, plug it in , and start operating the fixtures out of the box.

Features

- ◇ Simple, easy to install
- ◇ Inherently as safe as plugging in an ethernet cord
- ◇ Different behaviors programmable at time of order
- ◇ Downlight or 2x2 panel options
- ◇ Installer kit available with all parts necessary to install in 15 minutes
- ◇ Pays for itself in under 5 years
- ◇ No need to dispose existing lighting - acts as low power alternative
- ◇ Dimmable Light levels 0-100%

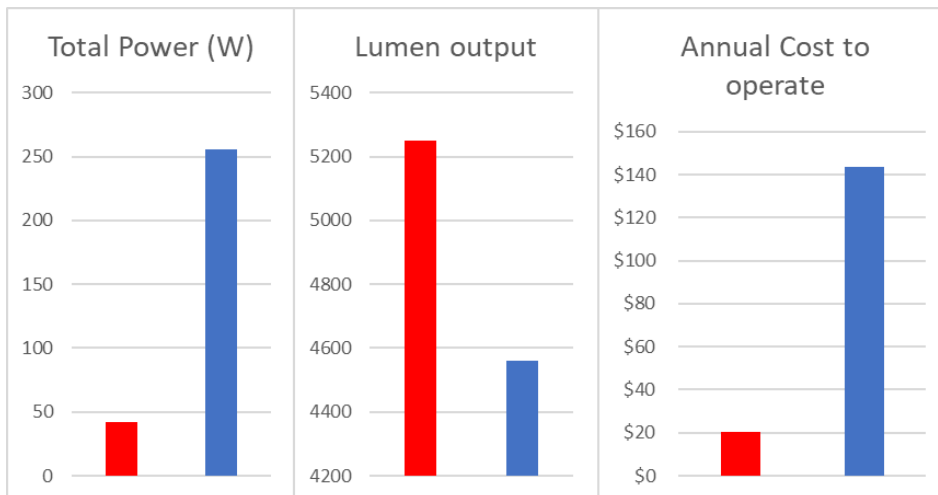
Tech Specs

- ◇ 5000+ lumen output
- ◇ < 42W power
- ◇ Upgradable to network PoE system
- ◇ 1st button toggles both on/off
- ◇ 2nd button brightens/dims fixture 1
- ◇ 3rd button brightens/dims fixture 2
- ◇ 4th button brightens/dims both

Ordering Options

DENT-LK-C2-{A,B}

Component	Option A Qty	Option B Qty
LED Driver	1	1
2x2 Flat panel	2	0
4" Gimbal Down light	0	2
4 button switch	1	1



2 Fluorescent 2x4 fixtures with 4 bulbs over 2 years old



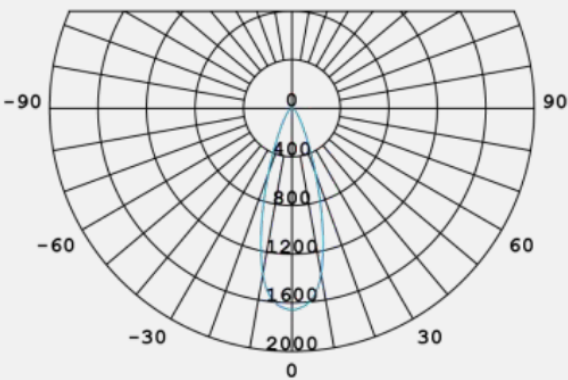
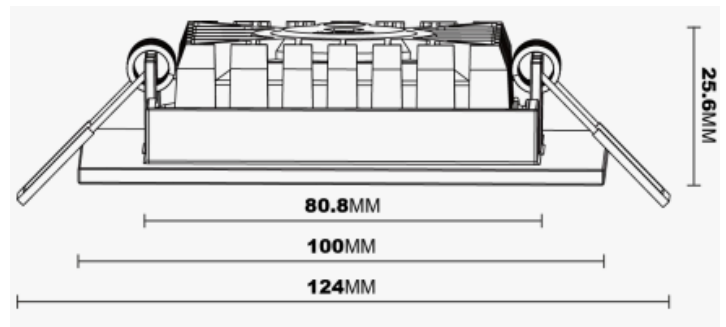
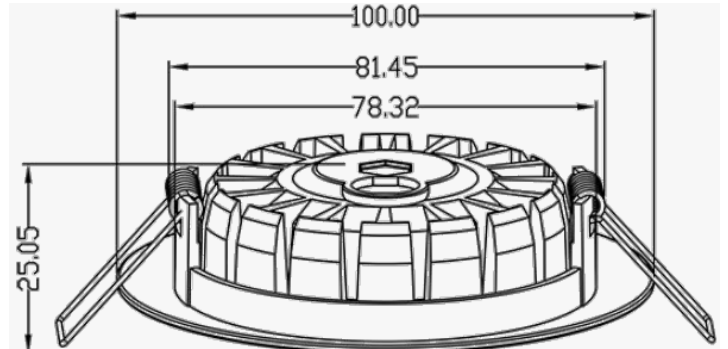
DENT-LK-C2



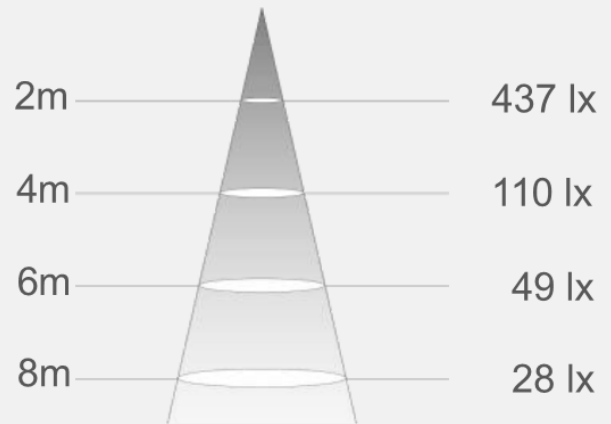
4" Downlight

Features

- ◇ CREE LED, high lumen
- ◇ 26mm (~ 1") thin profile
- ◇ 900+ Lumens
- ◇ UGR<19
- ◇ Several lensing options
- ◇ 90+ CRI
- ◇ 10W @ 90lm/W
- ◇ Constant Current: 200mA, 36-42VDC
- ◇ 2700K—5000K selectable via software
- ◇ Beam Angle 38°



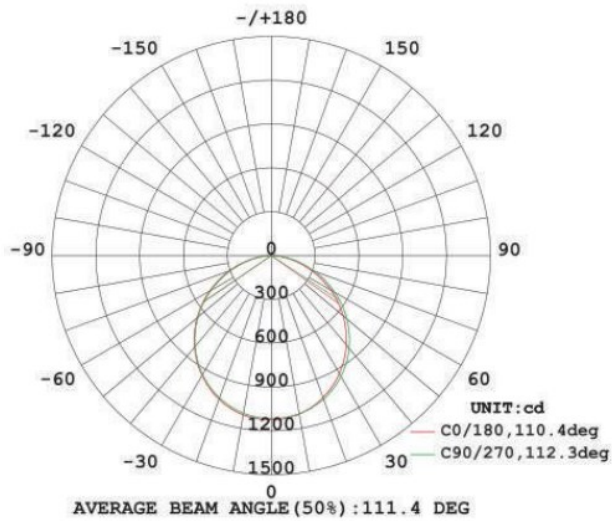
Light Distribution



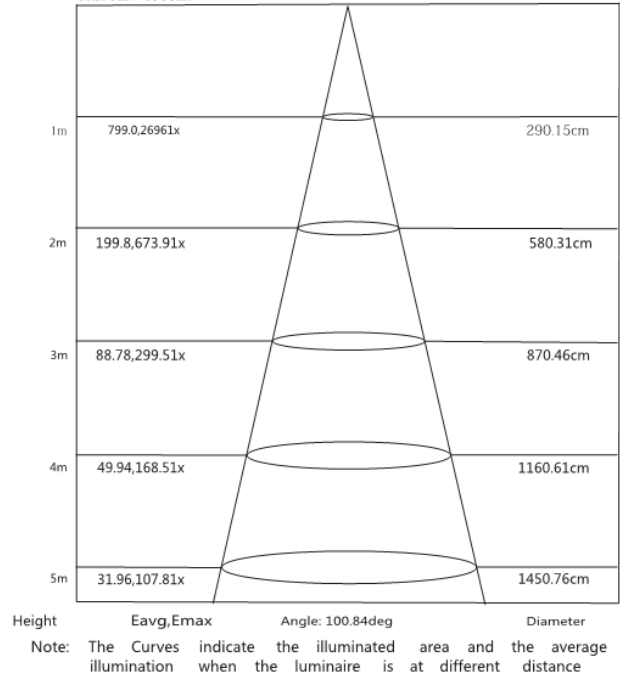
Illuminance (lx)

2x2 Fixture

LUMINOUS INTENSITY DISTRIBUTION DIAGRAM



Flux out: 4680lm



Fixture	Dimensions	Luminous Flux
LTG-FP-2-2-*	23.7"x23.7"x0.5"	4680 lm

